

Fig. 1

Pub. No. 2006/0126650

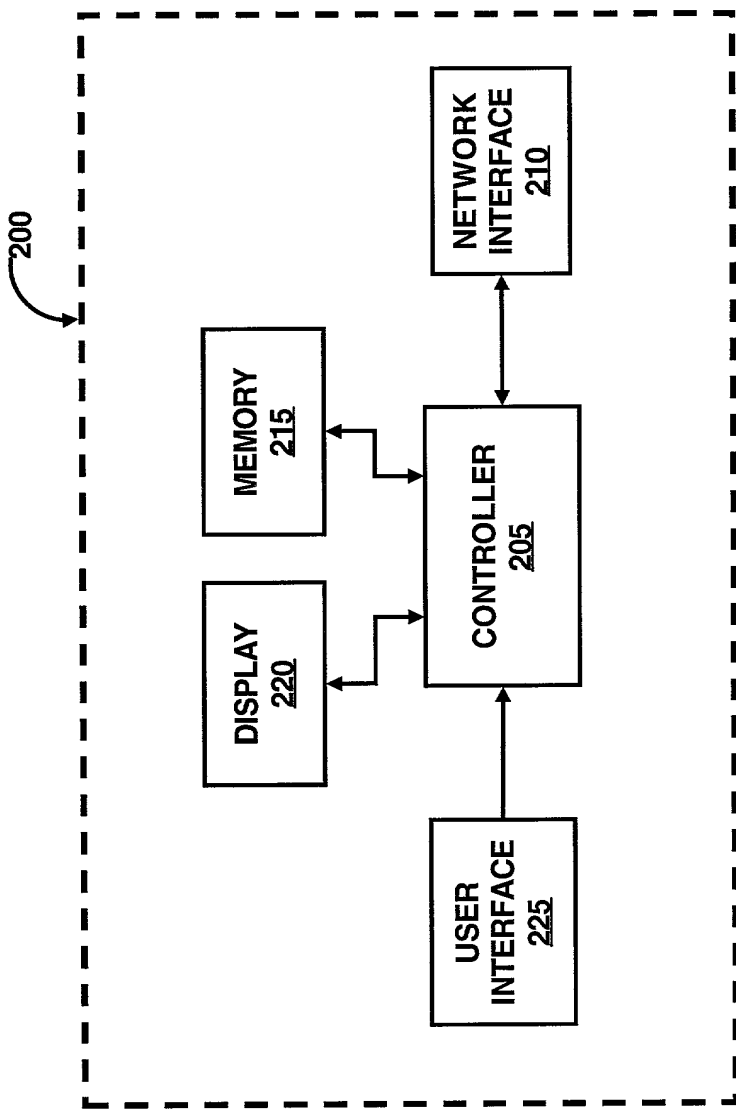


Fig. 2

300

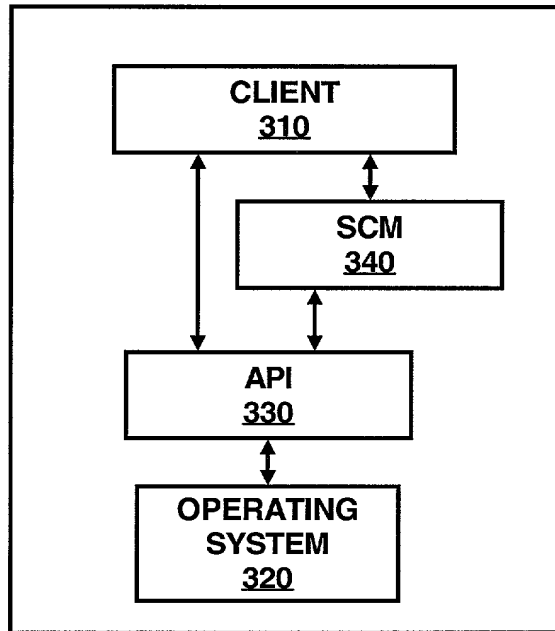


Fig. 3

Pub No. 003636.0115

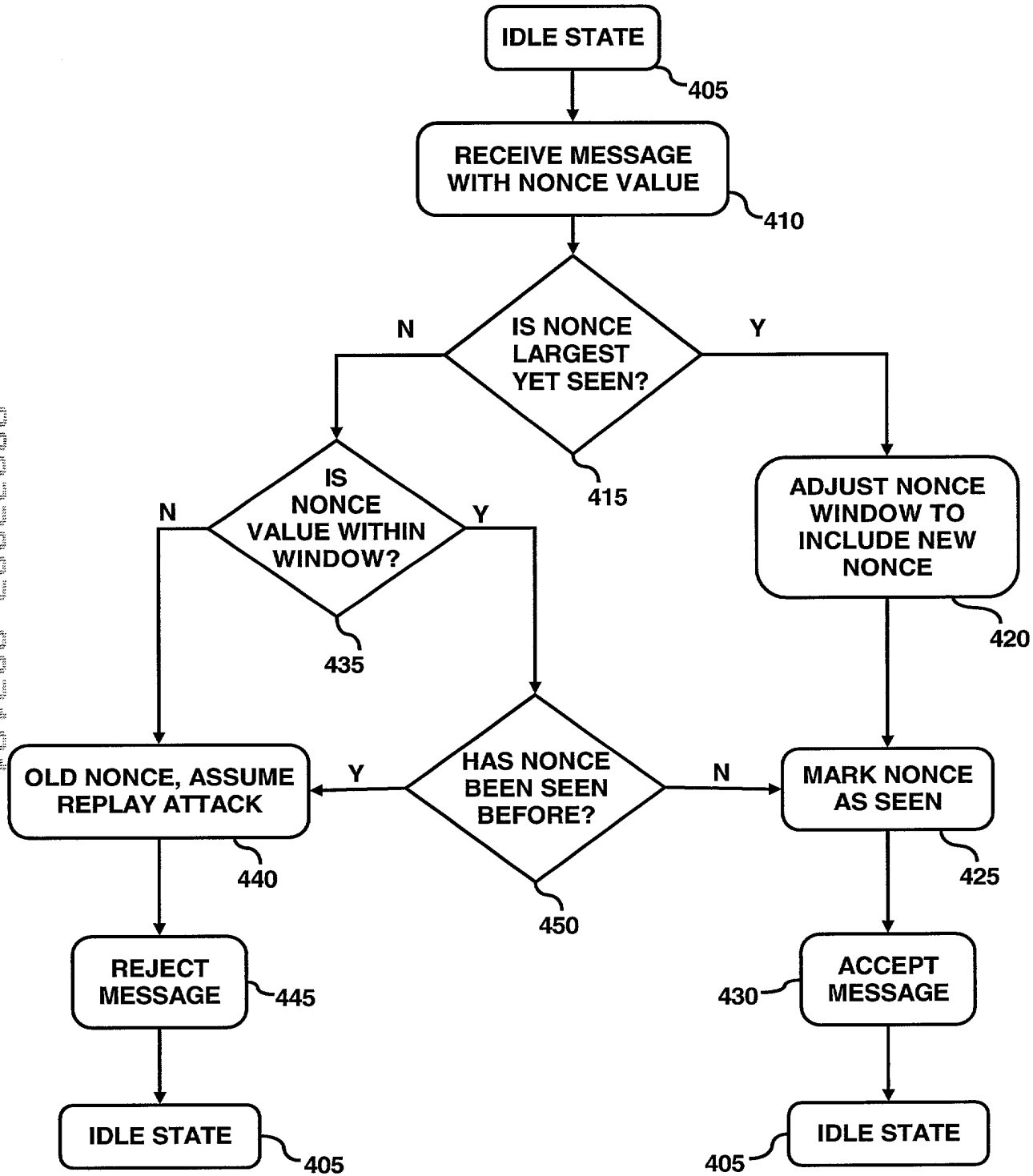


Fig. 4

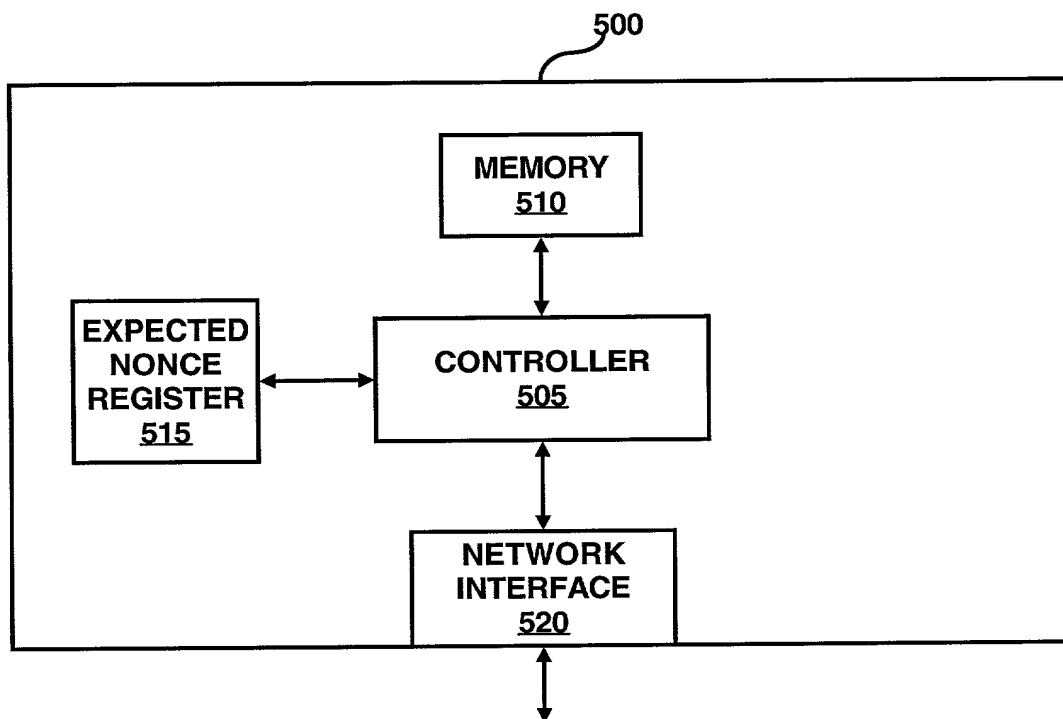


Fig. 5

Pub. No. 03636.0115